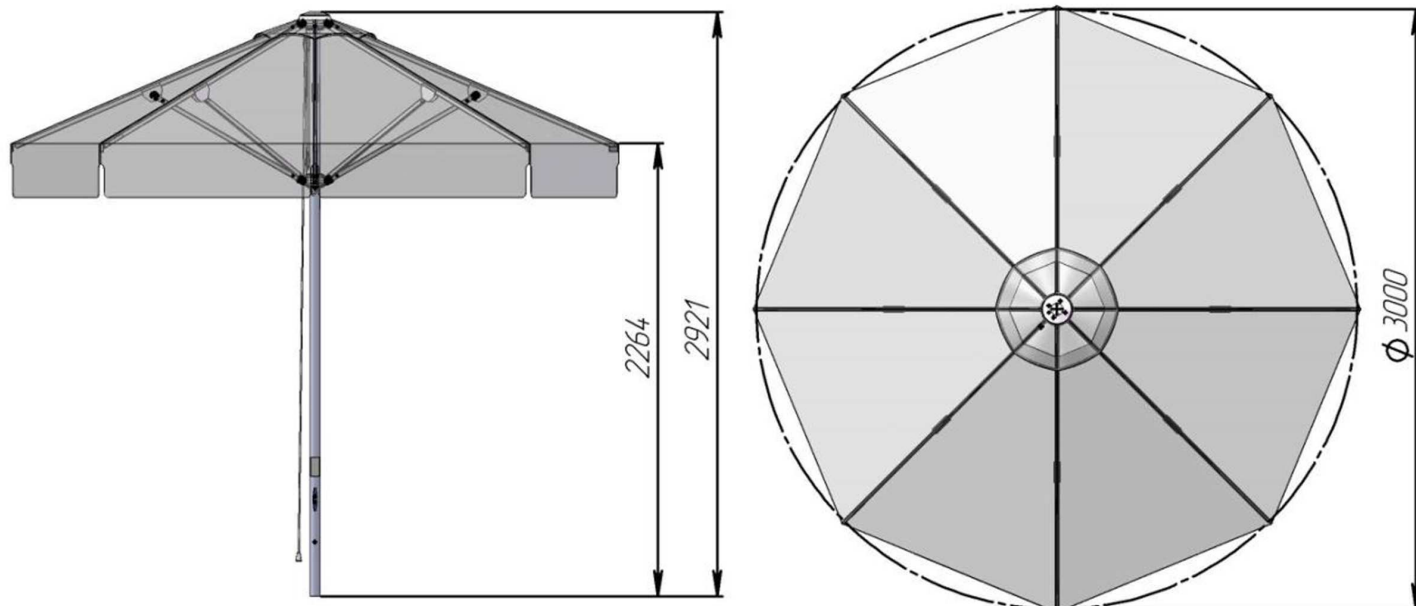


# Classic Umbrella D3



## PRODUCT COMPOSITION

UPPER FRAME	pcs	1
CANOPY	pcs	1

## MATERIALS

UMBRELLA STAND	STEEL PROFILE	d51mm x 51mm
UMBRELLA SPOKES BEARING	ALUMINUM PROFILE	30mm x 20mm x 1.2mm
UMBRELLA SPOKES SUPPORTS	ALUMINUM PROFILE	30mm x 20mm x 1.2mm
UMBRELLA CANOPY	100% POLYESTER	160-200 g/m <sup>2</sup>
COATING OF CANOPY	WATER REPELLENT (WR)	
UMBRELLA JOINTS	PLASTIC	
COATING OF METAL PARTS	POLYMER POWDER IMPACT RESISTANT	
COATING COLOR	WHITE RAL 9016 OR UP TO ORDER	
THE METHOD OF APPLYING IMAGE TO CANOPY	FULL-COLOR UV PRINTING	

## CONSTRUCTION DESCRIPTION

THE UMBRELLA HAS A CLASSIC OPENING SCHEME WITH A CORD AND PULLEY BLOCKS

THE UMBRELLA CAN BE EQUIPPED WITH A STANDARD COLLAPSIBLE STEEL SUPPORT, DESIGNED FOR THE USE OF CONCRETE BALLASTS 400X400 MM IN SIZE (4 PCS.) THE RECOMMENDED TOTAL WEIGHT OF BALLASTS IS 100 KG

UMBRELLA WEIGHT WITH CANOPY 13.6 KG

UMBRELLA SPOKES BEARING CARDBOARD BOX SIZE 295cm x 24cm x 24cm

IT IS POSSIBLE TO CARRY OUT INDIVIDUAL MARKING WITH LABELS PRINTED ON A FILM WITH AN ADHESIVE LAYER