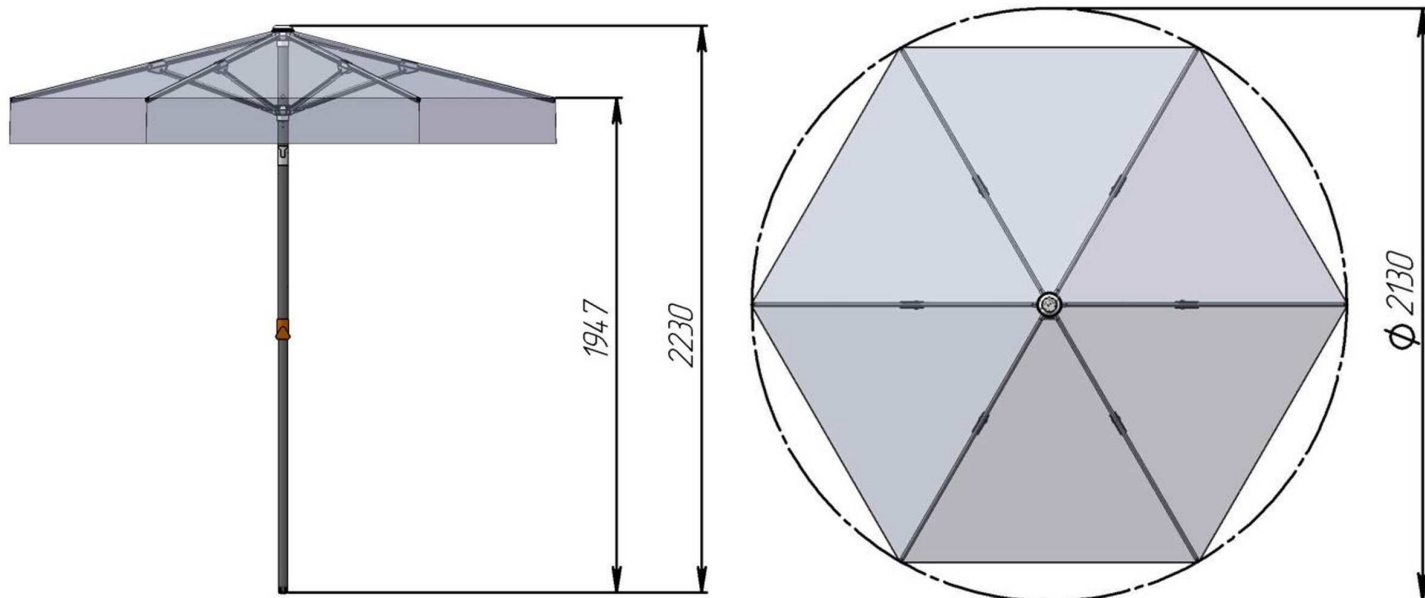


# Classic Umbrella D2.1



## PRODUCT COMPOSITION

UPPER FRAME	pcs	1
LOWER FRAME	pcs	1
CANOPY	pcs	1

## MATERIALS

UMBRELLA STAND	STEEL PROFILE	d864mm / d914mm
UMBRELLA SPOKES	STEEL PROFILE	18mm x 12mm
UMBRELLA CANOPY	100% POLYESTER	160 g/m <sup>2</sup>
COATING OF CANOPY	WATER REPELLENT (WR)	
UMBRELLA JOINTS	PLASTIC	
COATING OF METAL PARTS	POLYMER POWDER IMPACT RESISTANT	
COATING COLOR	UP TO REQUEST	
THE METHOD OF APPLYING IMAGE TO CANOPY	FULL-COLOR UV PRINTING	

## CONSTRUCTION DESCRIPTION

THE UMBRELLA HAS THE ABILITY TO ADJUST THE LENGTH OF THE STAND TO A MAXIMUM HEIGHT OF 232CM	
THE UMBRELLA HAS A CANOPY TILT UNIT	
UMBRELLA WEIGHT WITH CANOPY	2.7 KG
UMBRELLA PACKAGING	POLYETHYLENE SLEEVE
IT IS POSSIBLE TO CARRY OUT INDIVIDUAL MARKING WITH LABELS PRINTED ON A FILM WITH AN ADHESIVE LAYER	