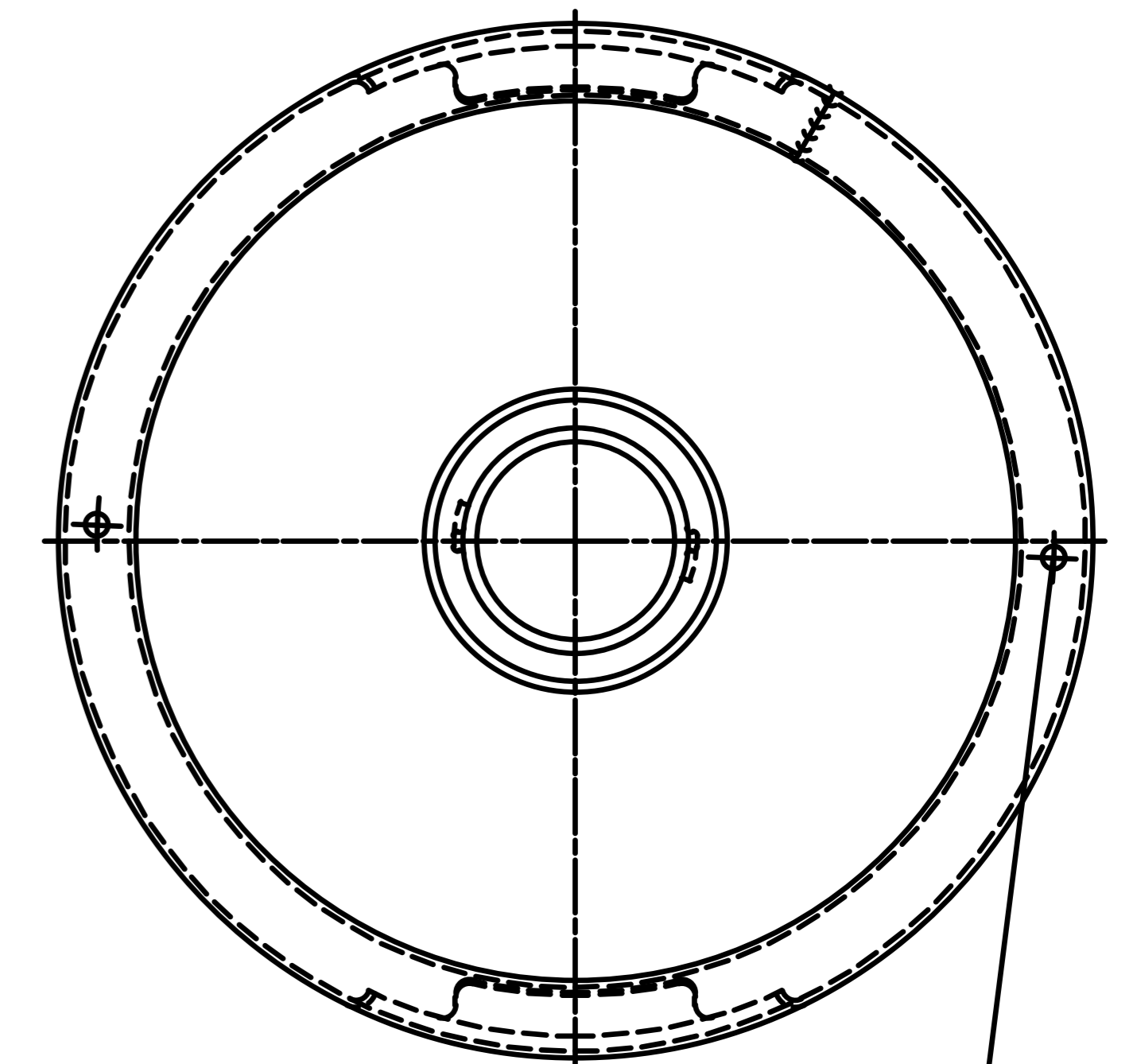
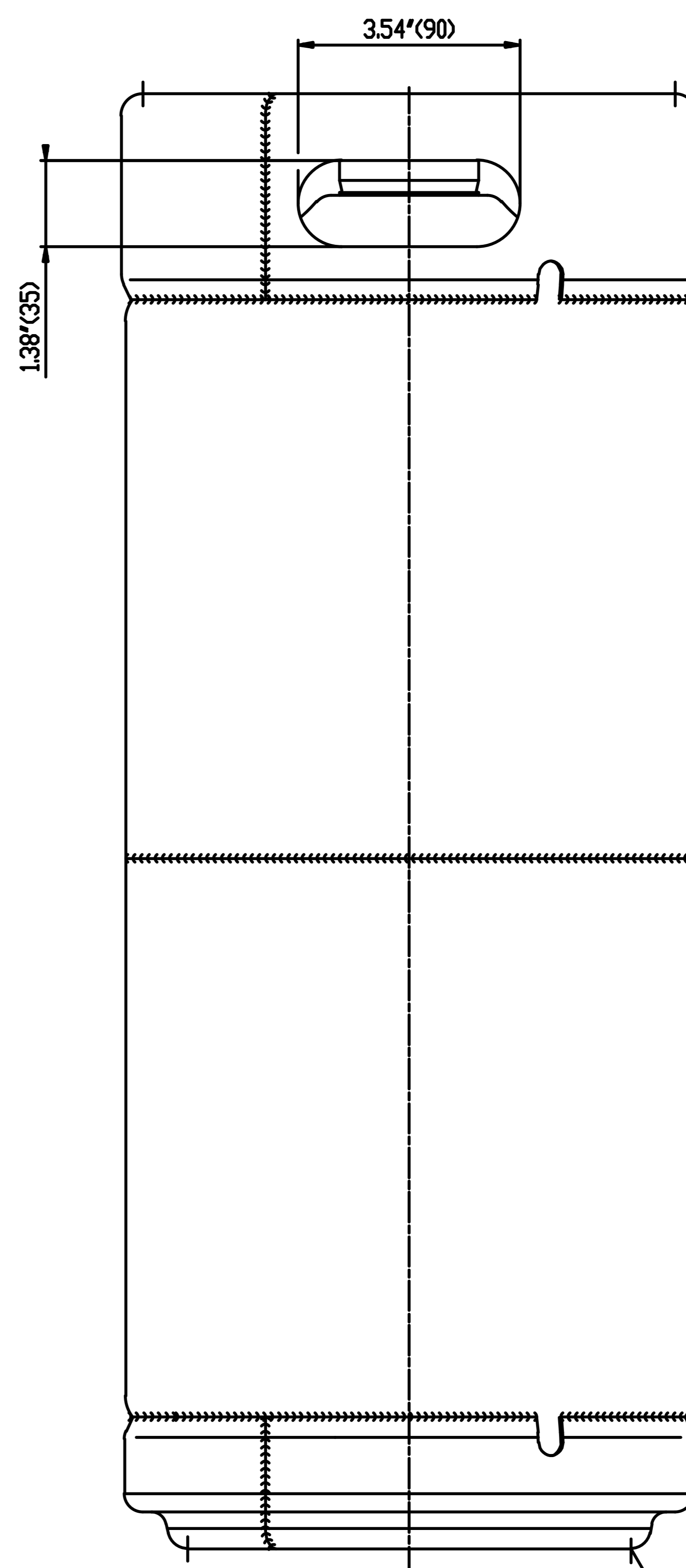
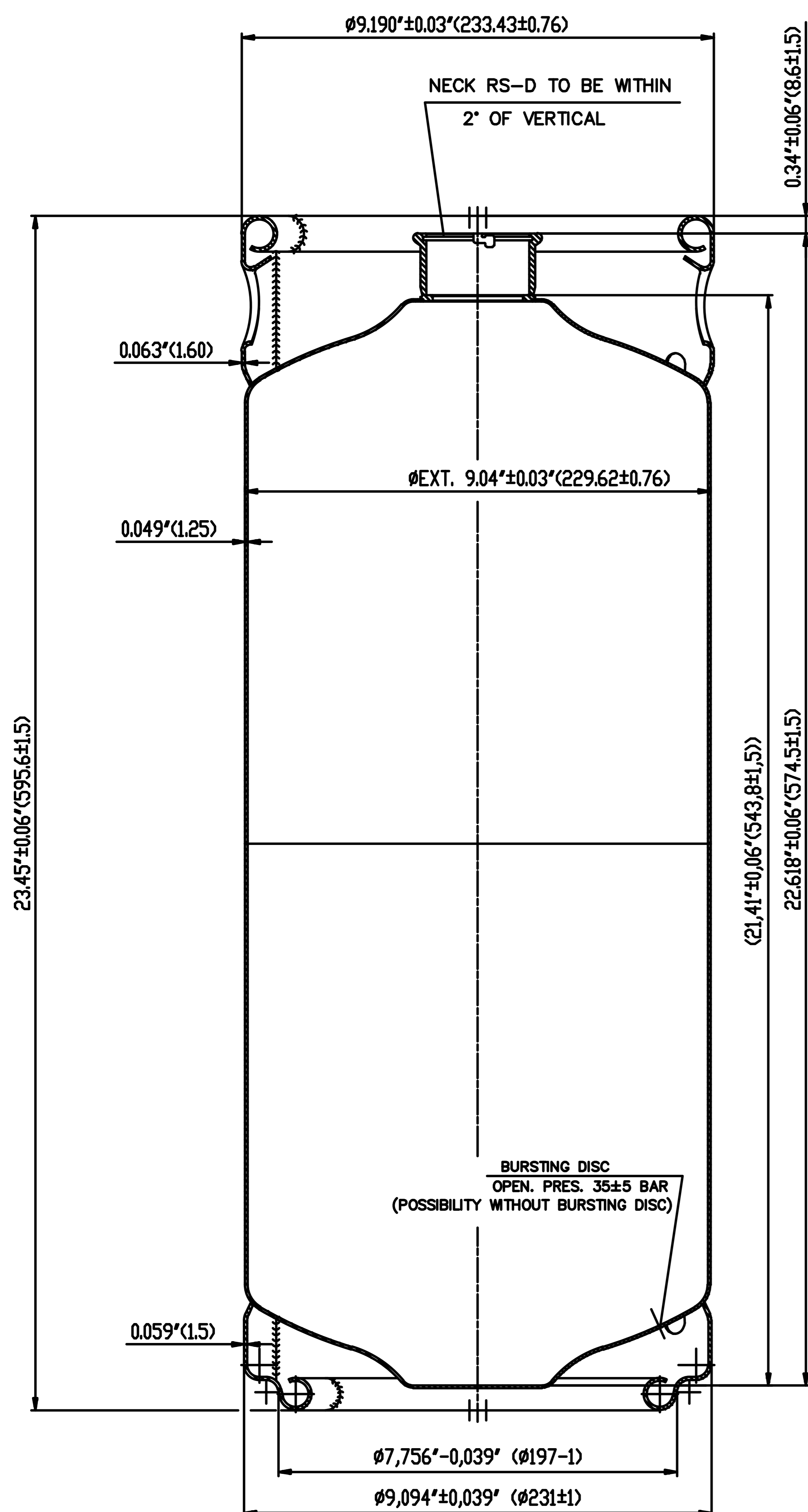


## Special Features

- Durability
- Comfort Grip Handle
- Highly Customizable
- 304 Stainless Steel
- Sankey D Valve

SIZE/VOLUME	HEIGHT(IN)	DIAMETER (IN)	WEIGHT(LBS)
20L	23.45	9.19	12.35



TWO (2)  $\phi 0.19 \text{ (}\phi 4.8 \text{)}$  DRAIN HOLES

TWO (2)  $\phi 0.19 \text{ (}\phi 4.8 \text{)}$  DRAIN HOLES