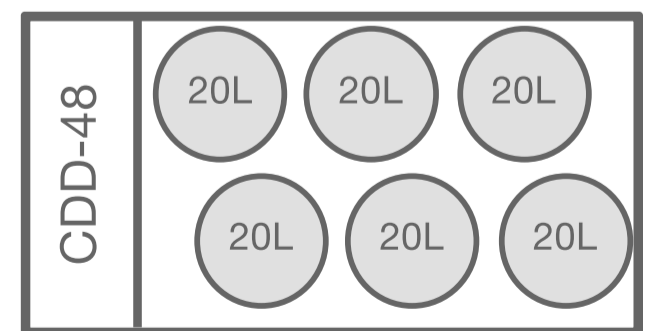
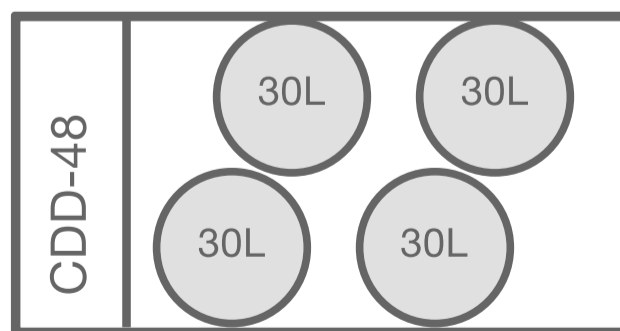
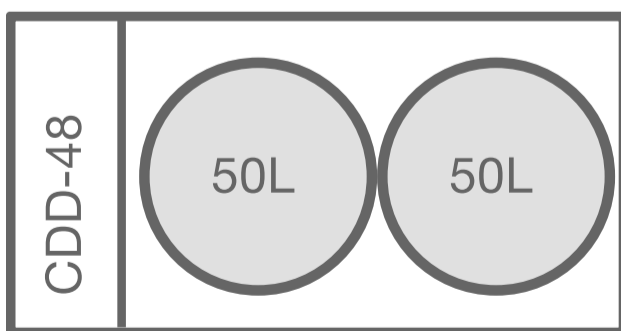


- Durable stainless steel top, interior walls, floor and ceiling.
- Exterior construction is attractive corrosion resistant vinyl on steel in black finish.
- Refrigeration system keeps the drinks at safe temperatures between 33°F and 41°F (0.5°C to 5°C).
- Electronic control system makes it easy to adjust temperature set point and defrost frequency.
- Pre-installed leveling feet. Heavy-duty casters with brakes included with each fridge.
- Self-Closing doors with locks.
- Removable installation board makes it easy to access condenser coil for cleaning and service.
- Refrigerant: HYDRO-CARBON R290.



Beer Tower and Accessories :

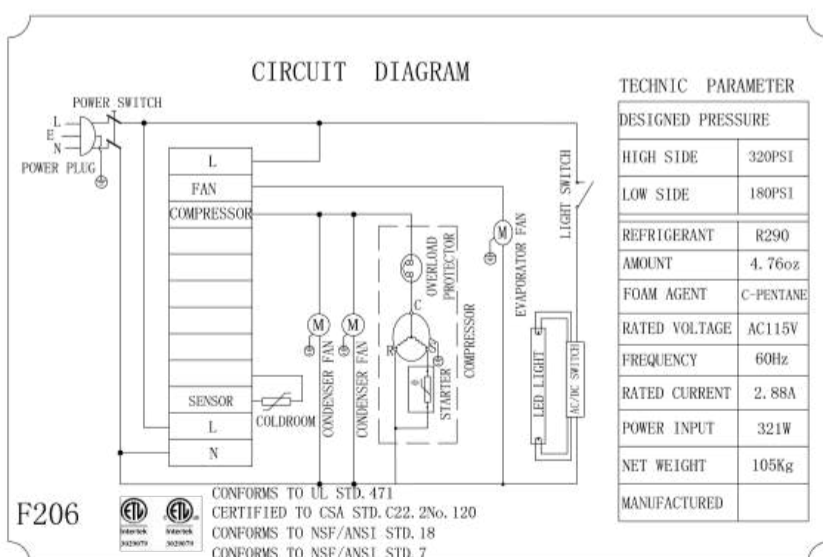
- 2 x Double tap tower with 10 1/4 faucet height, chrome-plated brass taps, and shanks
- 4 x D system chrome-plated brass keg couplers



*Specifications are subject to change without prior notice.

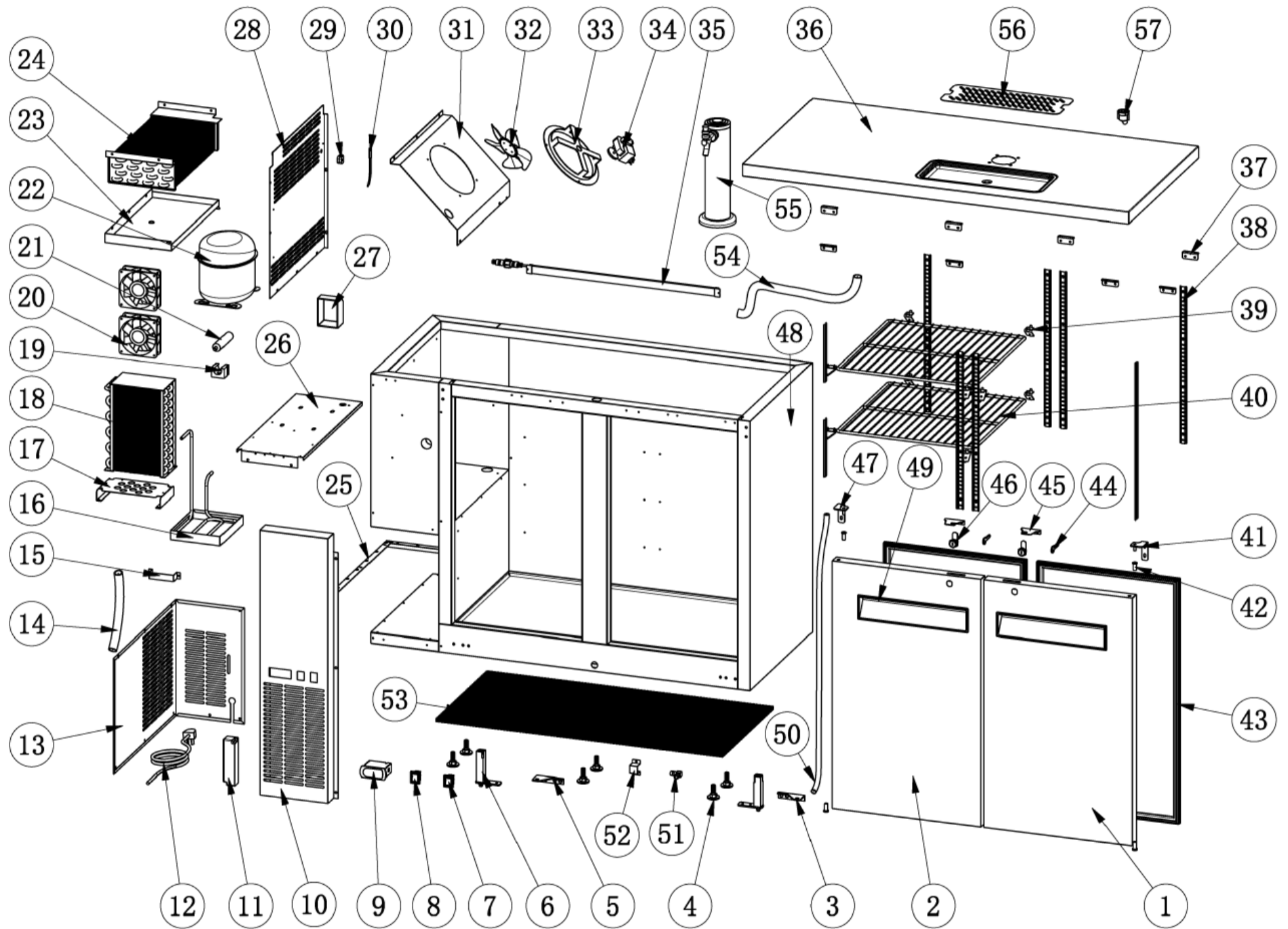
TECHNICAL DATA

Exterior Dimensions W*D*H	48.8"*24.4"*36.2"
Interior Dimensions W*D*H	36.2"*18.5"*30.5"
Packing Dimensions W*D*H	51.2"*27.6"*36.2"
Net Volume	318L
Temperature Range (F)	33-40°F
Compressor Power (HP)	1/5 HP
Refrigerant	R290
Isolation Material	Polyurethane
Cooling System	Ventilated
Net Weight lbs	231.5 lbs
Shipping Weight lbs	319 lbs
Door	2
Shelves	4
Housing Material	Painted steel
Liner Material	SS201
Shelf Material	Plastic Coated Steel
Type of Controller	Digital
Climate Rating (F)	90°F
Connection Rating Amp/Watts	325W/3.5A
Voltage/Frequency	115V / 60Hz



*Specifications are subject to change without prior notice.

PARTS



*Specifications are subject to change without prior notice.

PARTS

1	RIGHT DOOR
2	LEFT DOOR
3	BOTTOM RIGHT HINGE
4	LEVELING FEET
5	BOTTOM LEFT HINGE
6	BOTTOM HINGE AXIS
7	POWER SWITCH
8	LED LIGHT SWITCH
9	THERMOSTAT
10	CONTROL PANNEL
11	LED POWER SUPPLY
12	POWER CORD
13	BACK GRILL
14	DRAIN HOSE
15	HANDLE OF COMPRESSOR INSTALLATION BOARD
16	OUTER DRAIN PAN
17	CONDENSER INSTALLATION BOARD
18	CONDENSER
19	FILTER FIXER
20	CONDENSER FAN MOTOR
21	FILTER
22	COMPRESSOR
23	INNER DRAIN PAN
24	EVAPORATOR
25	FIXED MOUNTS FOR BACK GRILL
26	COMPRESSOR INSTALLATION BOARD
27	COMPRESSOR COMPONENT
28	EVAPORATOR COVER
29	TEMPERATURE PROBE FIXER

30	TEMPERATURE PROBE
31	EVAPORATOR FAN INSTALLATION BOARD
32	EVAPORATOR FAN BLADE
33	EVAPORATOR FAN HOLDER
34	EVAPORATOR FAN MOTOR
35	LED LIGHT
36	TOP BOARD
37	TOP BOARD FIXER
38	K STRIP
39	K CLIP
40	SHELF
41	UPPER RIGHT HINGE
42	AXIS COVER
43	GASKET
44	KEY
45	LOCK PLATE
46	LOCK
47	UPPER LIGHT HINGE
48	CABINET
49	DOOR HANDLE
50	DRAIN HOSE
51	PLASTIC CONNECTOR
52	BAFFLE
53	RUBBER PAD
54	CORRUGATED PIPE
55	BEER TOWER KIT - ONE TAP
56	COVER FOR BEER DRIP PAN
57	DRAIN CONNECTOR FOR BEER DRIP PAN

*Specifications are subject to change without prior notice.