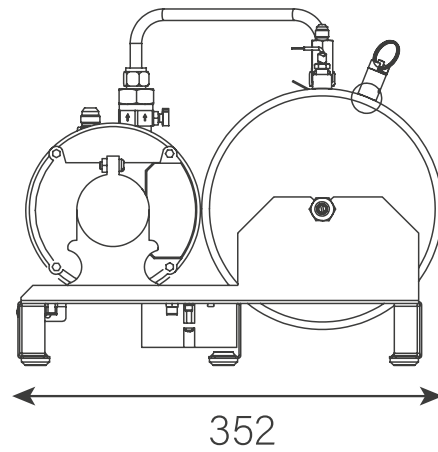
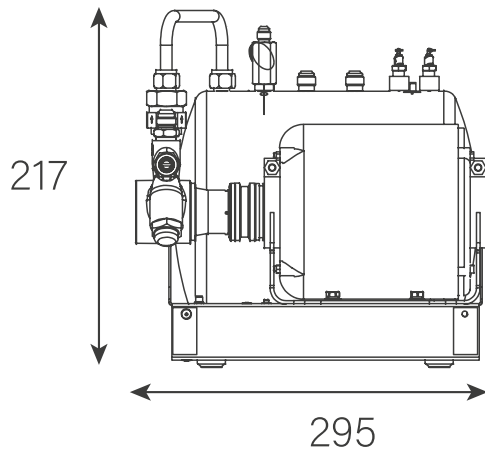
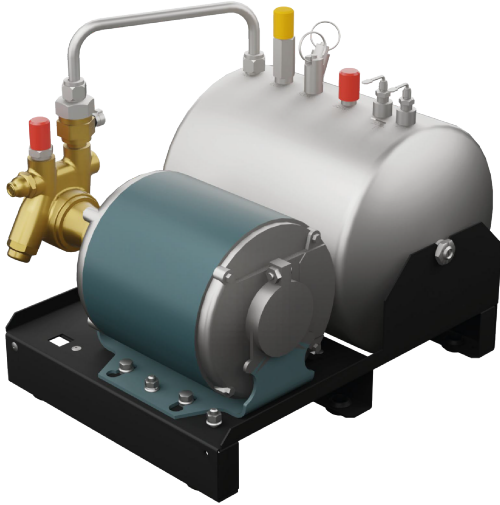


Dimensions:

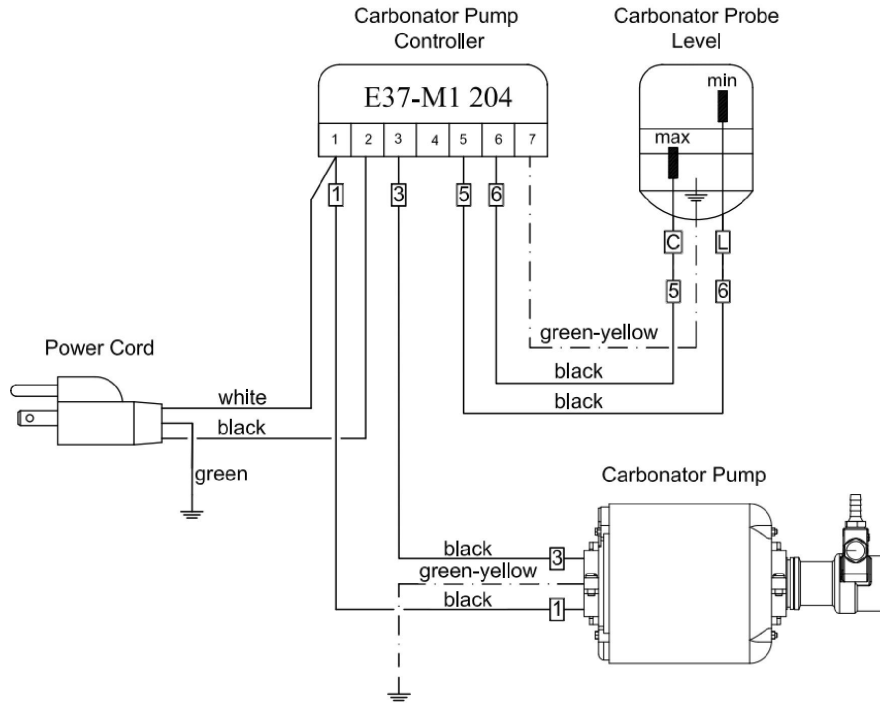


Specifications:

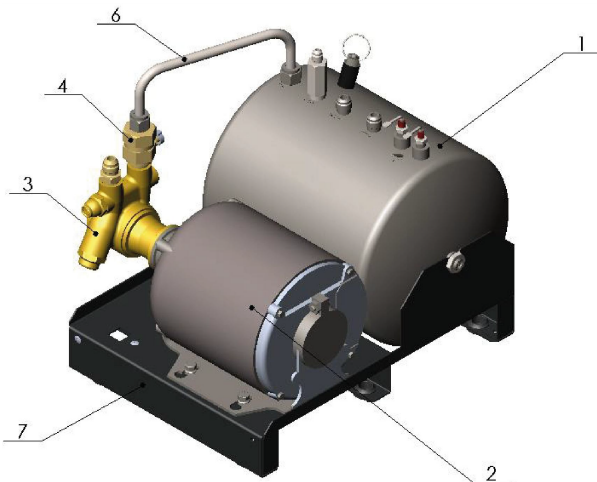


Part Number	221.00.000.00-01
Voltage, V / frequency, Hz	115 / 60
Current, A	5.6
Capacity tank carbonation total	270.5 fl. oz (8 l)
Water volume (max level)	176 fl. Oz (5.2 l)
Electric motor	1/3 HP
Carbonator pump flow rate	100 GPH
Width, in	11.5
Depth, in	13.9
Height, in	11.6
Weight Net	29lb (13.2kg)
Power cord length	6.5ft (2m)
Pressure of supplied water, bar	3.4 – 4
Pressure of supplied CO2, bar	5.5 – 7
Operating ambient temperature, F	60-90
Connection CO2 inlet	7/16" – 20 UNF
Connection water inlet	5/8" – 18 UNF
Connection soda outlet	3/8" GAS
Soda outs	2

Wiring diagram:



Parts:



1	Carbonation tank
2	Electric motor
3	Carbonator pump
4	«Anderson» ABF-ISLL ASSE 1022 - backflow prevention
5	Controller
6	Steel tube
7	Steel platform