



Special Features

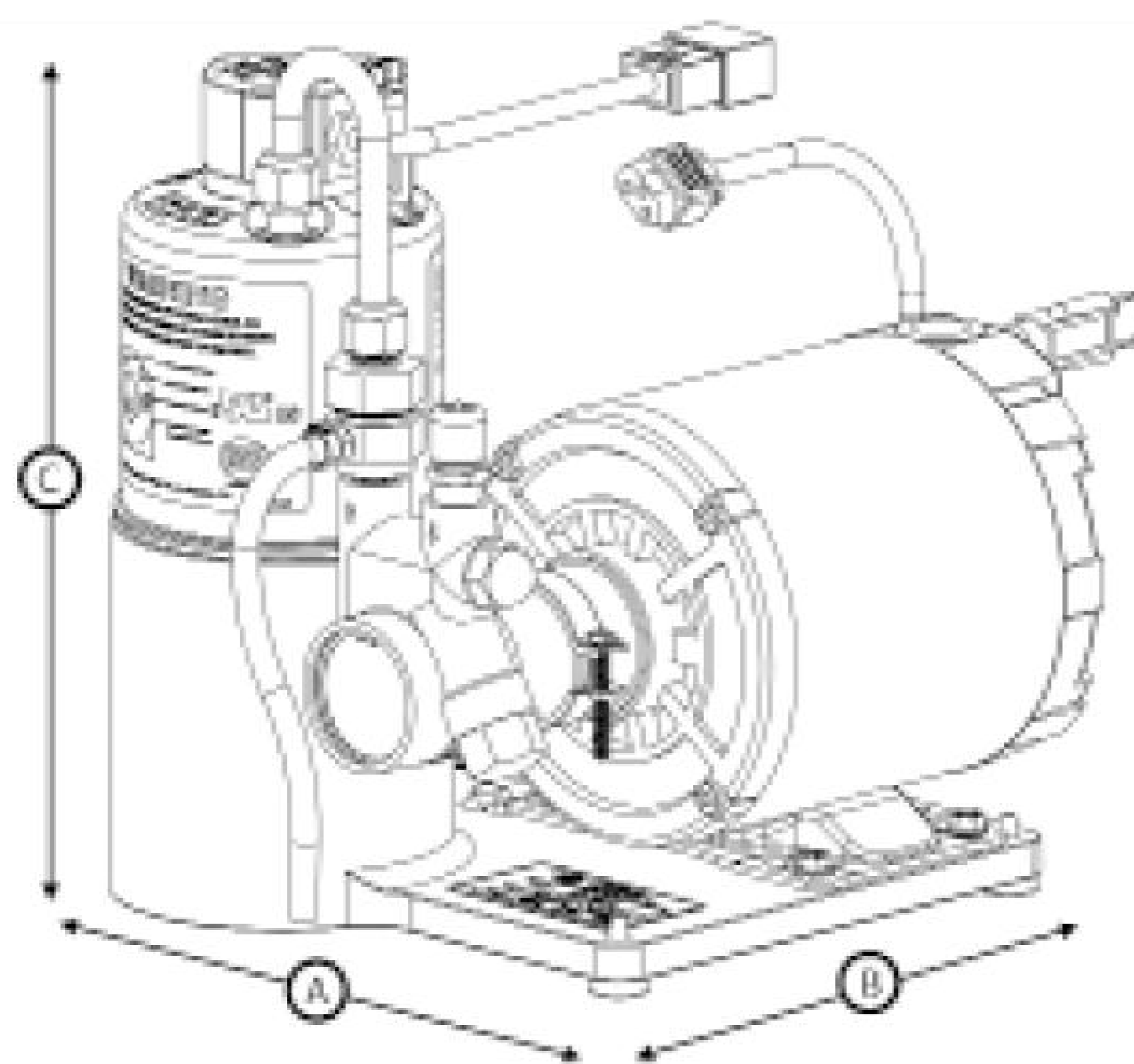
- Durable rotary-vane brass water pump delivers atomized water to the carbonator tank. Includes internal 100 micron strainer and pressure relief valve.
- Diamond Brite stainless steel construction is corrosionresistant and easily cleaned.
- Exclusive two-piece probe design reduces service time, improves diagnostics, and lowers costs. No need to shut off CO2 or water during service.
- Fully-encapsulated electronics package is easily removed for testing and service without the need to depressurize the tank.
- Specially designed probe electronics resists damage from amperage spikes for greater reliability.
- Liquid-level float assembly and heat sink probe cap ensure trouble-free operation and extend service life.
- Injection molded base with vibration isolating rubber feet provide sound insulation.
- Anderson Brass ASSE 1022-specified backflow prevention device included.
- Certified compliance with California AB-1953 & Vermont Act 193.

Warranty

- 5-year warranty on carbonator tank and liquid level probe control.

Specifications

43 Series Carbonators	
Water Capacity	100 gph (378 lph) maximum
Tank Capacity	32 fl . ounces (0.95 liter)
Soda Outlets	1
Base	115V models have injection molded bases, 220V models have stainless steel bases
Electrical	115V / 60 hz / 1ph and 220V / 50-60 hz / 1 ph
Electrical	100 GPH rotary-vane brass pump with internal strainer and by-pass relief
Pressure Relief	180 PSI pressure relief valve
Backflow Protection	Anderson Brass ASSE 1022-specifi ed backfl ow prevention device
Motor	115V models: 1/3 HP, 6.5 amps, 1725 RPM and 220V models: 1/4 HP, 2.0 amps, 1425 RPM
Inlet/Outlet Fittings	1/4 male fl are CO2 inlet, 3/8 male fl are water inlet, 3/8 male fl are soda water outlet(s)
Approximate Shipping Weights	25 lbs. (11.4 kg)
Carton Dimensions	13 x 14.5 x 11 in. (33 x 36.8 x 27.9 cm)

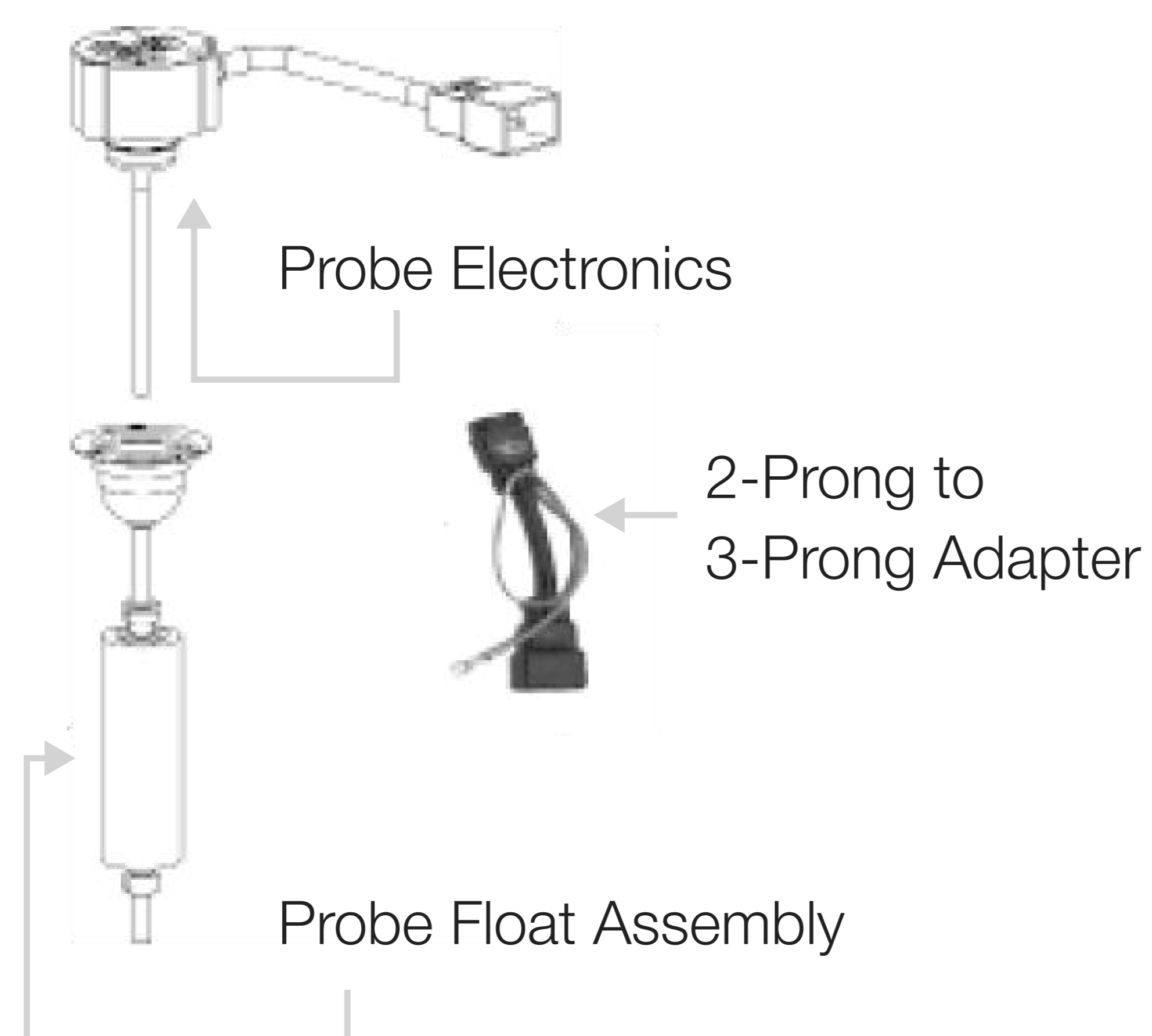


43 Series

A 9.0" (22.9 cm)

B 11.5" (29.2 cm)

C 11.0" (27.9 cm)



Easy to test 2-Piece Probe

1. Remove probe.
2. Pass magnetic tip of screwdriver across lower end of the tube extending from electronics package.
3. If reed switch closes, motor should start.