


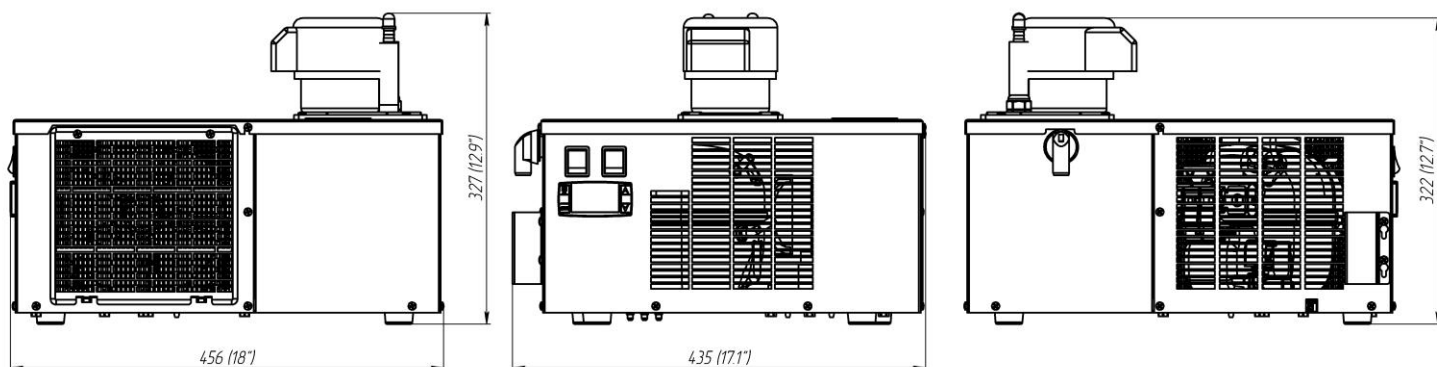
Glycol Chiller Kalinka-ICE

Specifications



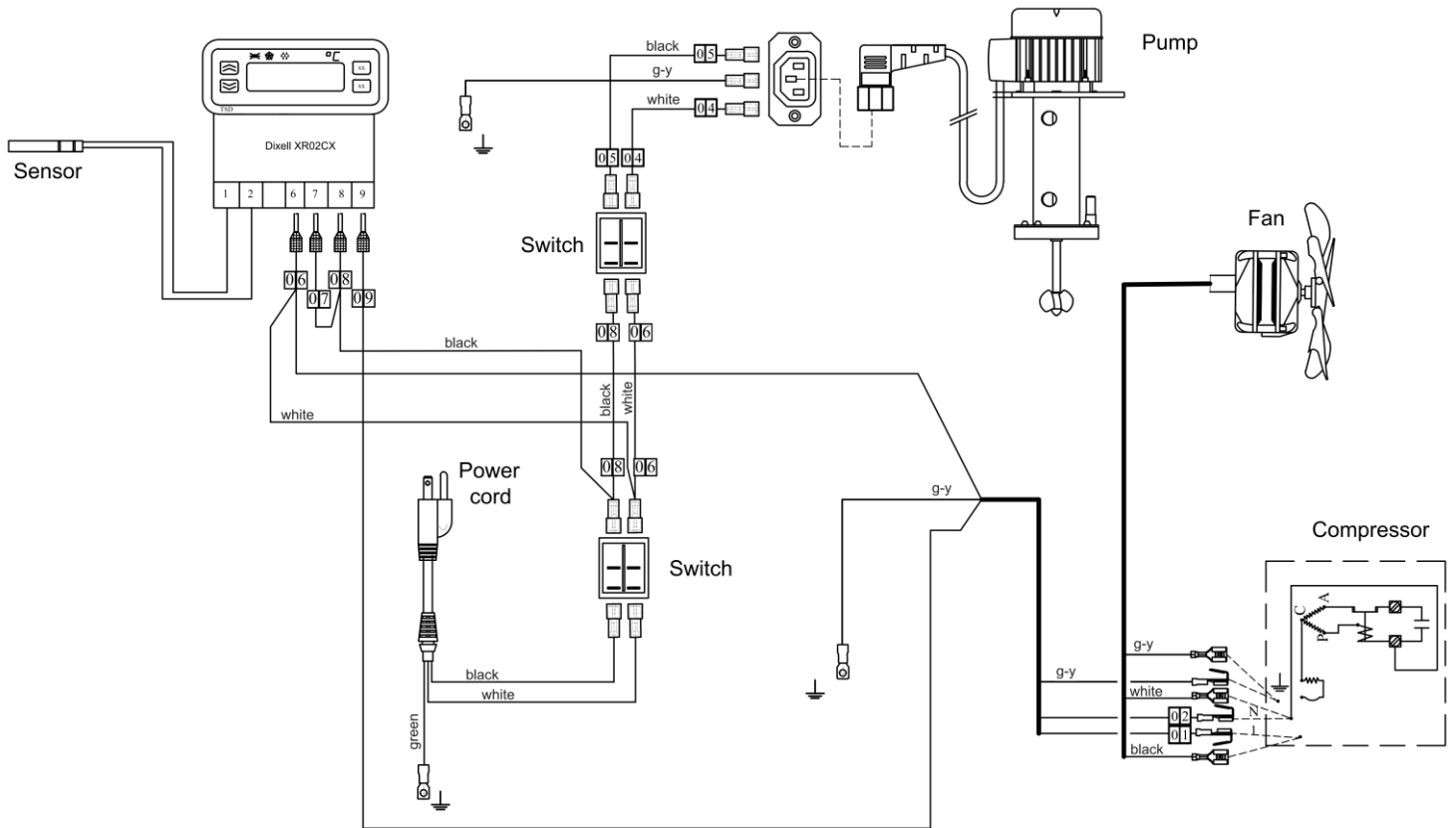
| | |
|-----------------------------------|---|
| Internal number | 112.00.000.00-11 |
| Part number | KG-1/6VP |
| Maximum distance, ft | up to 25 |
| Capacity, BTU/h, evap 20 °F | 908 |
| Glycol tank capacity, gal | 2 |
| Compressor power, hp | 1/6 |
| Dedicated circuit, amp | 15 |
| Plug type (NEMA #) | 5-15P  |
| Voltage, V / frequency, Hz | 115 / 60 |
| Pump type | Vertical |
| Pump, GPH | 135 |
| Number of pre-installed pumps | 1 |
| Number of additional pumps | n/a |
| Refrigerant | R290 |
| Width, in | 17.1 |
| Depth, in | 18 |
| Height, in | 12.9 |
| Weight gross/net, lb | 45.4 / 52.1 |
| Power cord length, ft | 6 |
| Inlet/Outlet barb, in | 3/8 |
| Operating ambient temperature, °F | 60-90 |
| Clearance at least | 12" around the entire unit |
| Glycol mixture, vol% | 40 % glycol and 60% water |

Overall dimensions

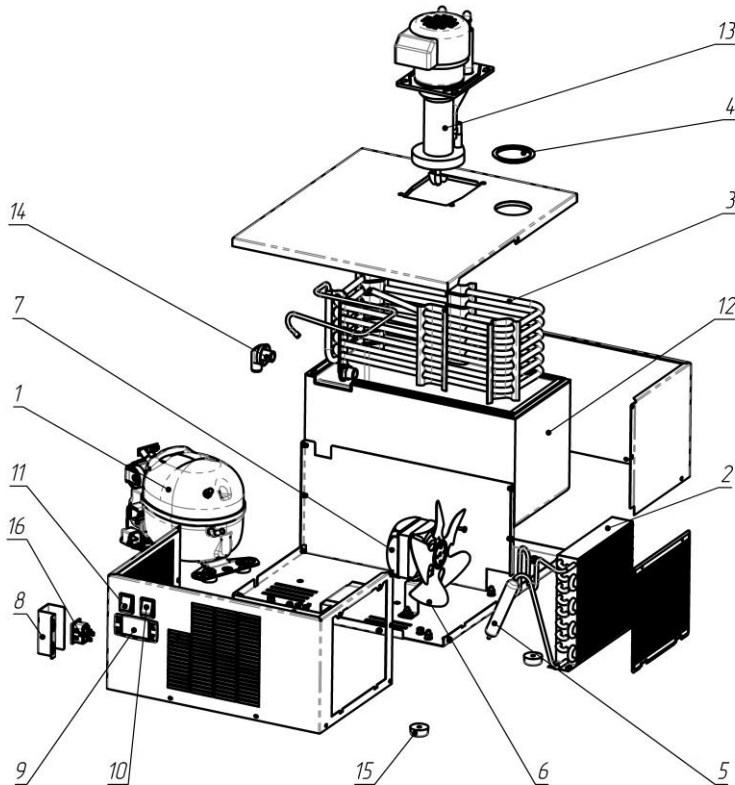


Glycol Chiller Kalinka-ICE

Wiring diagram



Parts



| | |
|----|---|
| 1 | Compressor "EMBRACO" EMI 50UER (115-127 V/60Hz) or "CUBIGEL" NBC30NR (115V, 60Hz) |
| 2 | Air condenser "KARYER" STFT 12118 |
| 3 | Evaporator |
| 4 | Cap |
| 5 | Filter-drier "DE.NA" GR15 6.1/2.1 |
| 6 | Impeller "ELCO" Ø172 mm., $\alpha=28^{\circ}$ |
| 7 | Electric motor "EBM" M4Q045-BD-03-04 (115V, 60Hz) or "ELCO" NU 4-13-2/236 115 V, 60/50 Hz |
| 8 | Protective casing |
| 9 | Thermostat "DIXELL" XR02CX-4N0F1 (115 V/ 60Hz) |
| 10 | Power switch "ARCOLECTRIC" C6053ALBG (Green) |
| 11 | Power switch "ARCOLECTRIC" C6053ALBR (Red) |
| 12 | Glycol bath |
| 13 | Glycol pump "FLOJET" SPC 17/4, (115V/60Hz) |
| 14 | Overflow |
| 15 | Foot |
| 16 | Connector R302SN 250V 10A |